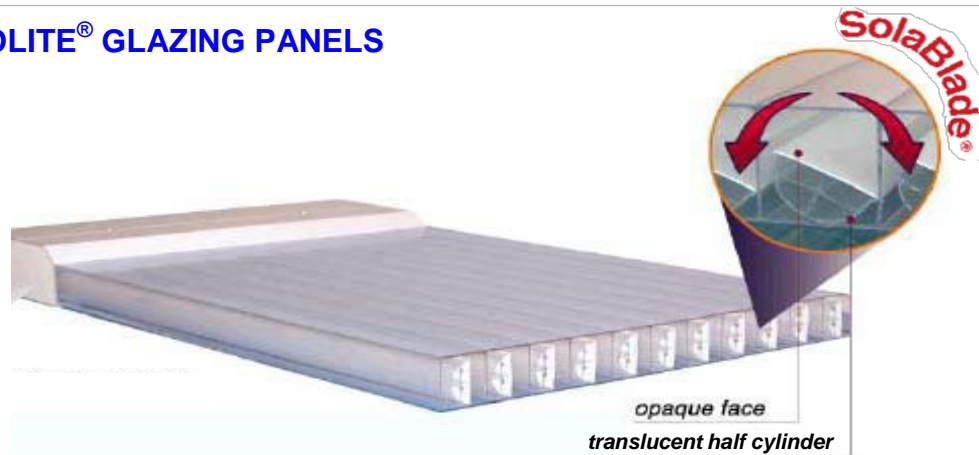


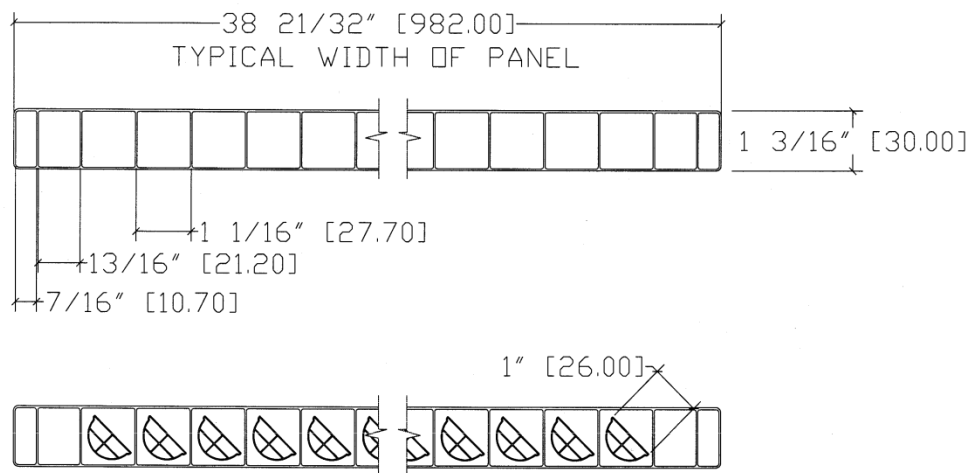
## CONTROLITE® GLAZING PANELS



The ControlLite® system design is comprised of a translucent 30mm (1.2 inch) polycarbonate glazing panel with built-in translucent revolving half-cylinders called SolaBlades®. Each SolaBlade® has an opaque, flat upper face, and the position of the

SolaBlades® in relation to the sun determines the amount of sunlight and heat gain transmitted through the panel. Each ControlLite® glazing panel has an operating system that sets the position of the SolaBlades® according to the required light level.

### CROSS SECTION OF CONTROLITE® PANEL



Panel Length – up to 40' (12 m) in one single length.  
Panel Weight – 1.13 lb/sqf.  
Glazing Module – 3.28 (100mm) C/C

### AVAILABLE GLAZING COLORS

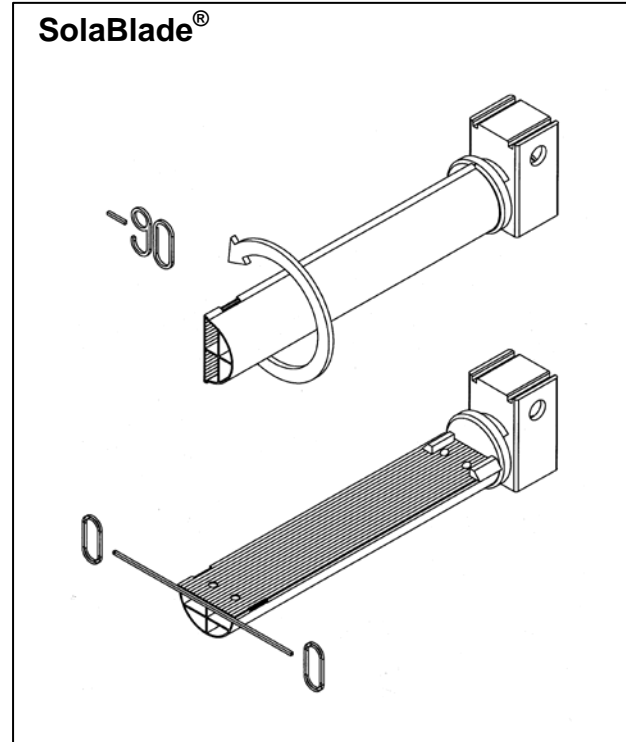
The standard color for the main translucent polycarbonate panel is clear.

The standard color for the SolaBlades® is clear with an opaque white flat upper face.

Additional colors for the main panel are available upon request: Green, Blue, Ice White, Bronze and Clear Matte Finish.

### THERMAL AND LIGHT PERFORMANCE

ControLite® offers variable light transmission from 6% to 58% and any desired light transmission and shading coefficient between.



ControLite® Configuration with Clear Panel	Visible Light Transmission	Total Solar Transmission	Total Solar Reflectivity	Total Solar Absorb.	Shading Coefficient
Panel in maximum L.T. position	0.58	0.53	0.23	0.24	0.64
Panel in minimum L.T. position	0.06	0.07	0.46	0.47	0.18
Insulation "Value" = 0.33					
As measured by Fraunhofer-institut for Solar Energy Systems, ISE					

### HOW CONTROLITE® PANELS ARE VIEWED BY BUILDING CODES (IBC 2000, UBC, BOCA, SBCCI)

- ControLite® system is recognized as "Approved Plastics" with CC1 Classification, for use as light transmitting materials in buildings and structures.
- ControLite® system meets the requirements of the building code as an approved light transmitting panel as follows:
  1. Self-ignition temperature of 650 degrees F or greater per ASTM 1929 - successfully passed at 1058 degrees F.
  2. Smoke density of no greater than 75% per ASTM 2843 – successfully passed at 57.3%.

- 
- 
3. Burning Extend per ASTM D635 – successfully passed the burning extend of 1” or less to be classified as CC1. (CC2 is available)