

LiteBrow Translucent Canopies

LiteBrow System Information:

Standard Modular LiteBrow™ units are 5 feet up slope and 4, 8 or 12 feet long. Custom sizes and configurations are available upon request.

STANDARD LITEBROW™ MODELS
 Designed for +/- 120 PSF total combined loads

STANDARD LITEBROW MODEL	OPTIONAL LB GUTTER MODEL	WIDTH	LENGTH
LB 5x4	LBG 5x4	5'	4'
LB 5x8	LBG 5x8	5'	8'
LB 5x12	LBG 5x12	5'	12'

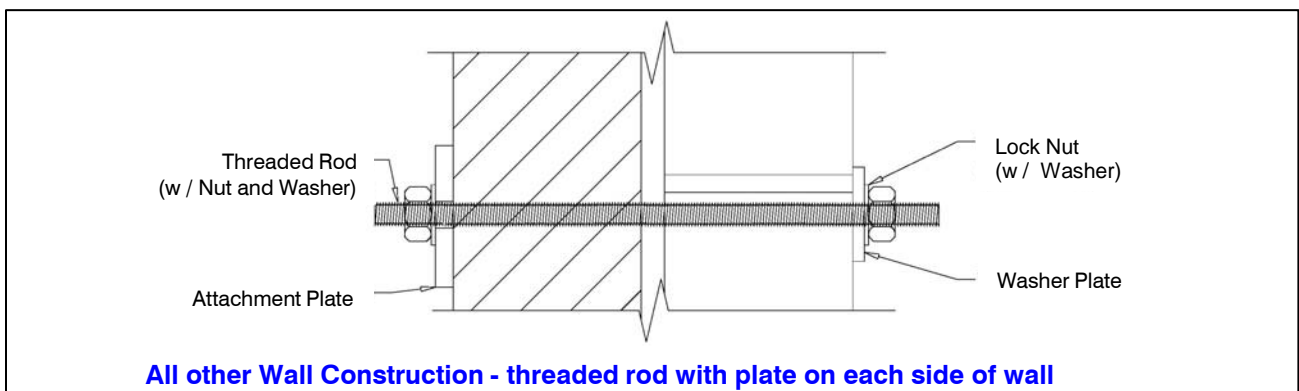
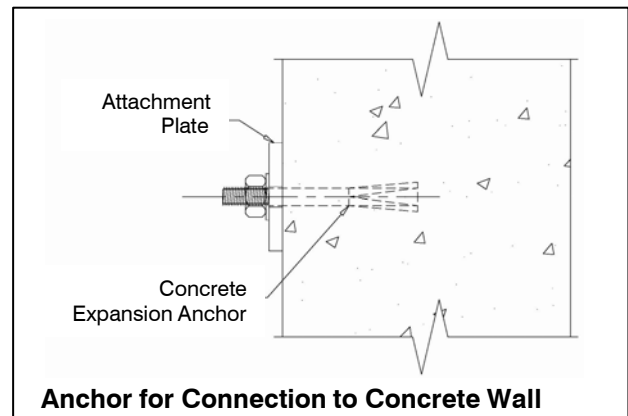
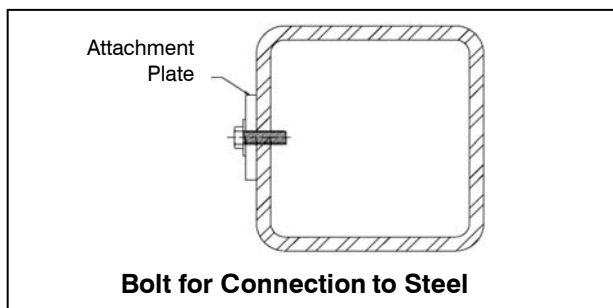
CPI will provide a fabricated modular translucent suspended canopy system that includes:

- Pentaglas 12 Nano-Cell® standing seam polycarbonate glazing
- Self-supporting aluminum single slope framing system
- Aluminum tie rods

Details for Typical Connection to the Building

- Customer is responsible for structural integrity and load bearing capability of the wall at the point of connection.

MINIMUM SLOPE IS 2:12



All other Wall Construction - threaded rod with plate on each side of wall