

METAL CLIP DESIGN

The metal clips are a critical part of the glazing system's performance. CPI's metal clips are designed for long-term wind load resistance, meeting high wind loads performance, and increased safety factory.



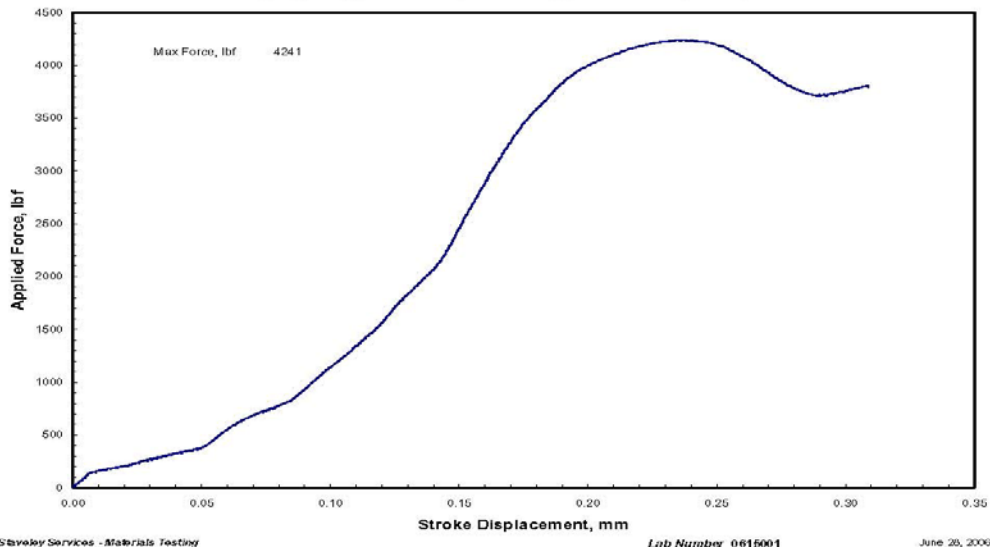
- Continuous top flange covers the panel edge in each direction for the full length.
- Tested for 150 psf and beyond.
- Protected by U.S. patent #6,164,024 & #7,546,708.
- Other patents are applied.
- Fully tested per ASTM E1886/E1996, ASTM 330, ASTM E695, Tensile Pull Test, FBC, Hurricane Zone per TAS 201, 202, 203.
- Test reports are available upon request.

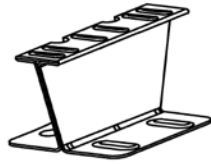
TENSILE PULL TEST ILLUSTRATION



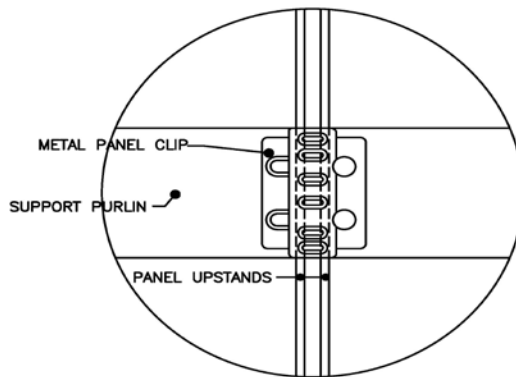
APPLIED FORCE VS DEFLECTION

CPI Daylighting - S.S. Clip 8mm Type MPC8S, Sample 2

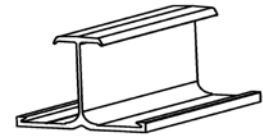




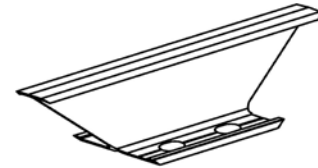
TYPE MPC 12
NOT TO SCALE



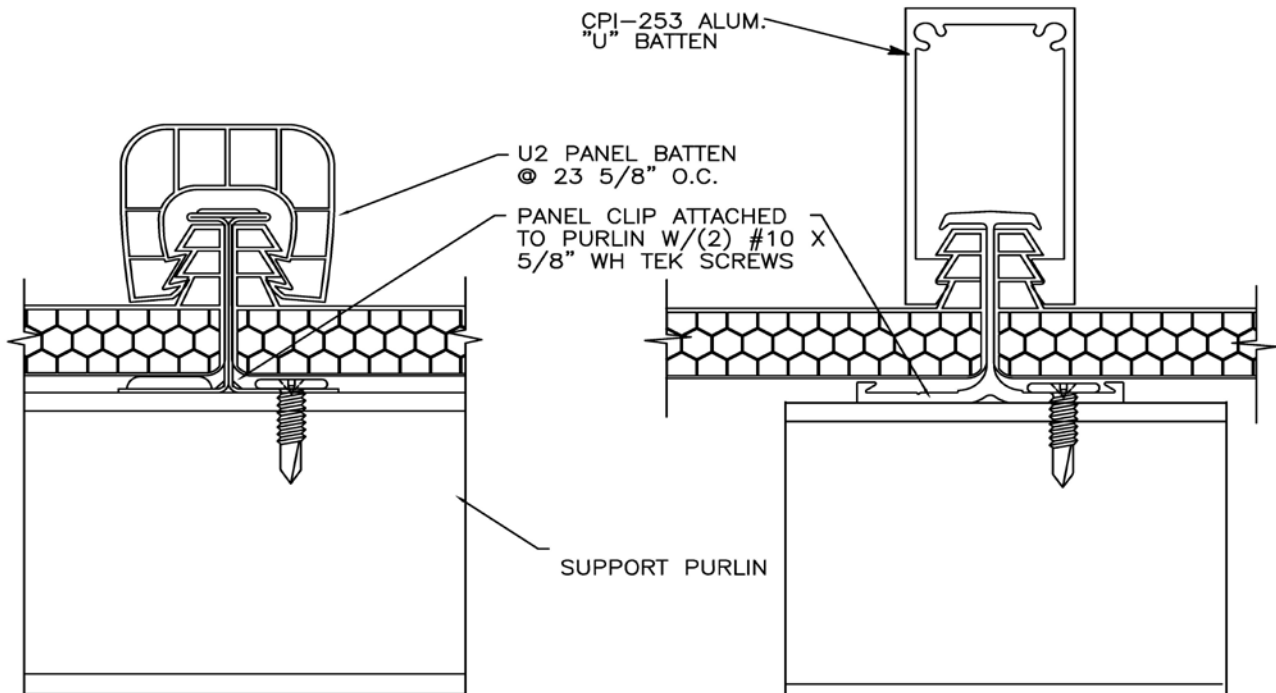
PLANVIEW @ METAL PANEL CLIP
NOT TO SCALE



TYPE MPC-217
NOT TO SCALE



TYPE MPC-HD217
NOT TO SCALE



DETAIL(S) ABOVE ALSO APPLY TO THE PENTAGLAS[®] 16 SYSTEMS